

CG-2076 STIRRER BEARING, 10MM, TEFLON, CHEM-STIR™

Grease-Free Teflon stirrer bearing designed for use under moderate vacuum applications. The bearing consists of a threaded glass adapter having an inner joint, a set of Teflon washer style bearings, a stainless steel spring, nylon alignment ring and Celcon® compression cap. The unique design of this bearing provides hours of continuous vacuum operation, with a minimum of "flaking" of the Teflon bearing surfaces.

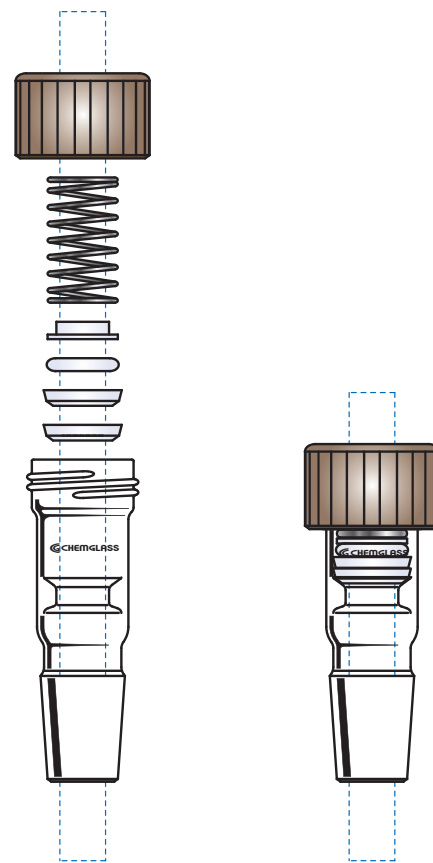
PLEASE NOTE: FOR USE ONLY WITH CG-2078 OR CG-2079 PRECISION GROUND AND POLISHED STIRRER SHAFTS.

Complete Bearing:

Part Number	Joint Size
CG-2076-01	24/40
CG-2076-02	29/26
CG-2076-03	29/42
CG-2076-04	34/45
CG-2076-05	45/50
CG-2076-06	55/50

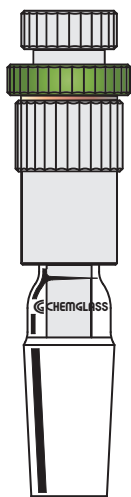
Replacment Components:

Part Number	Description
CG-2076-10	Glass Adapter Only
CG-2076-11	Glass Adapter Only
CG-2076-12	Glass Adapter Only
CG-2076-13	Glass Adapter Only
CG-2076-14	Glass Adapter Only
CG-2076-15	Glass Adapter Only
CG-2076-20	Celcon® Compression Cap Only
CG-2076-21	S.S. Spring Only
CG-2076-22	Teflon Washer Set Only
CG-2076-23	Nylon Alignment Ring Only

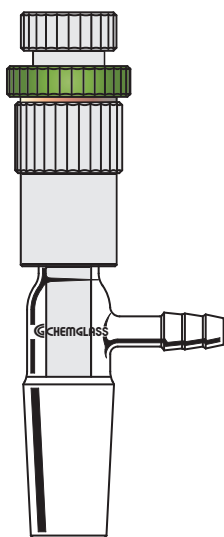


CG-2076

STIRRER BEARINGS



CG-2077



CG-2077-A

CG-2077 STIRRER BEARING, 10MM, TEFLON

Grease-Free Teflon stirrer bearing designed for use in moderate vacuum applications. Bearing consists of a threaded glass adapter having the listed inner joint, a saddle o-ring, a body bushing with a compression and locking nut, and a precision Teflon inner bearing. The saddle o-ring provides only glass and Teflon contact with the reaction, while allowing for the vacuum tight seal. Design of the bearing permits replacement of the saddle o-ring at a fraction of the cost of the entire bearing. **PLEASE NOTE: FOR USE ONLY WITH CG-2078 OR CG-2079 PRECISION GROUND AND POLISHED STIRRER SHAFTS.**

Complete Bearing:

Part Number	Joint Size
CG-2077-01	24/40
CG-2077-02	29/26
CG-2077-03	29/42
CG-2077-04	34/45
CG-2077-05	45/50
CG-2077-06	55/50

Replacement Components:

Part Number	Description
CG-2077-10	24/40 Glass Adapter Only
CG-2077-11	29/26 Glass Adapter Only
CG-2077-12	29/42 Glass Adapter Only
CG-2077-13	34/45 Glass Adapter Only
CG-2077-14	45/50 Glass Adapter Only
CG-2077-15	55/50 Glass Adapter Only
CG-2077-20	Saddle O-Ring Only
CG-2077-21	Teflon Inner Bearing Only

CG-2077-A STIRRER BEARING, SINGLE NECK FLASK

Teflon stirrer bearing with a hose connection for vacuum or inert gas source on a single neck flask. Grease-free design has only glass and Teflon in contact with the reaction, and can be used under moderate vacuum applications. Bearing consists of a threaded glass adapter having the listed inner joint size, a saddle o-ring, a body bushing with a compression and locking nut, and a precision Teflon inner bearing. Saddle o-ring provides vacuum tight seal and is replaceable at a fraction of the cost of the entire bearing. Hose connection is 10mm at the largest serration. **PLEASE NOTE: FOR USE ONLY WITH CG-2078 OR CG-2079 PRECISION GROUND AND POLISHED STIRRER SHAFTS.**

Complete Bearing:

Part Number	Joint Size
CG-2077-A-01	24/40
CG-2077-A-02	29/42
CG-2077-A-03	45/50

Replacement Components:

Part Number	Description
CG-2077-A-11	Glass Adapter Only, 24/40
CG-2077-A-12	Glass Adapter Only, 29/42
CG-2077-A-13	Glass Adapter Only, 45/50
CG-2077-20	Saddle O-Ring Only
CG-2077-21	Teflon Inner Bearing Only

No More Flaking

CHEMVAC™ TEFLON® STIRRER BEARING

CG-2077-G STIRRER BEARING, CHEMVAC™, 10MM, TEFLON

NEW Chem-Vac™ Teflon stirrer bearing provides a VACUUM TIGHT FLAKE-FREE SEAL. Two versions of the bearing are available, the standard series for 2L and smaller vessel capacities and the stabilizer series that incorporates a PEEK®/PTFE stabilizing bushing that is molded to the lower portion of the inner joint. The stabilizer greatly reduces stirrer shaft whip on larger vessels. The bearing consists of a Teflon standard taper body, Glass filled polypropylene screw cap, PEEK® Compression spring, PEEK®/PTFE sleeve and a glass filled polypropylene loosening nut. The polymer blend sleeve provides a long lasting seal for use up to 500 RPM. Loosening nut above the standard taper inner joint allows easy and quick removal. **PLEASE NOTE: TEFLON STIRRER SHAFTS ARE NOT RECOMMENDED FOR USE WITH THIS BEARING.**

Features:

FLAKE-FREE

- Chemically Resistant
- Vacuum (~5 Torr) And Pressure (~14 PSI)
- Polymer Blend Sleeve Provides Excellent Wear Resistance
- For Use With Polished Glass Or Stainless Steel Stirrer Shafts

Standard Series Bearing For Capacities 2L And Smaller:

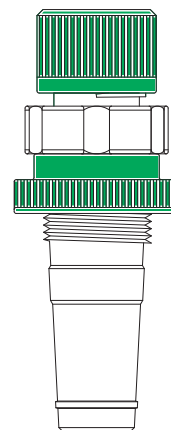
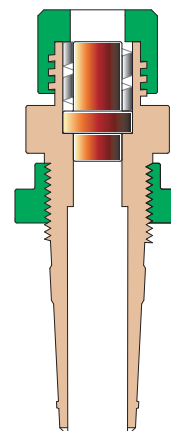
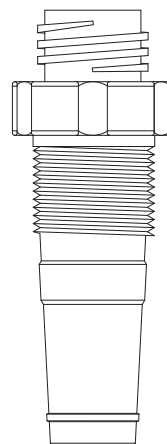
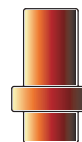
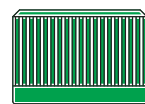
Part Number	Fits Stirrer Shaft OD	Joint Size
CG-2077-G-01	10mm	24/40
CG-2077-G-02	10mm	29/42
CG-2077-G-04	10mm	45/50

PEEK®/PTFE Stabilizer Bearing:

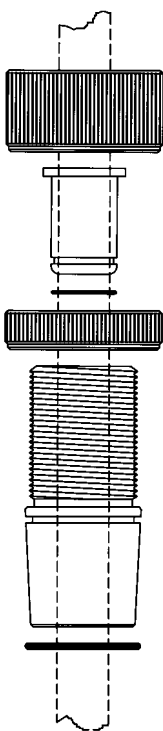
Part Number	Fits Stirrer Shaft OD	Joint Size
CG-2077-G-21	10mm	24/40
CG-2077-G-22	10mm	29/42
CG-2077-G-24	19mm	45/50

Replacement Components:

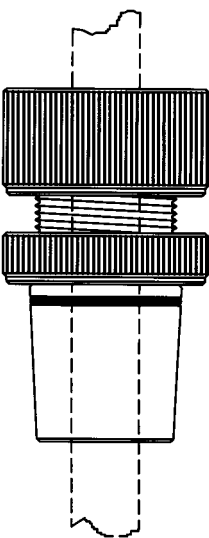
Part Number	Description
CG-2077-G-10	Replacement Bearing Sleeve, 10mm
CG-2077-G-11	Replacement PEEK Compression Spring, 10mm
CG-2077-G-14	Replacement Bearing Sleeve, 19mm
CG-2077-G-15	Replacement PEEK Compression Spring, 19mm



STIRRER BEARINGS



CG-2077-H



CG-2077-H STIRRER BEARING, TEFLON

Grease-Free Teflon stirrer bearing for use under moderate vacuum. The bearing consists of a Teflon standard taper body, Nylon compression cap, Teflon Insert/bushing and a Nylon loosening nut. The Teflon insert/bushing provides only glass and Teflon contact with the reaction. Loosening nut above the standard taper inner joint allows easy and quick removal. Supplied complete with a Perfluoro o-ring on the body and a Viton o-ring on the bushing.

Part Number	Description	Body O-Ring	Insert/Bushing O-Ring
CG-2077-H-01	24/40 Teflon bearing, 10mm	018	013
CG-2077-H-02	29/42 Teflon Bearing, 10mm	022	013
CG-2077-H-05	45/50 Teflon Bearing, 19mm	129	020
CG-2077-H-06	45/50 Teflon Bearing, 25.4mm	129	024
CG-2077-H-07	45/50 Teflon Bearing, 30mm	129	027

Replacement Components:

Part Number	Description
CG-2077-H-10	Body Only, 24/40 Teflon Bearing, 10mm
CG-2077-H-11	Body Only, 29/42 Teflon Bearing, 10mm
CG-2077-H-12	Body Only, 45/50 Teflon Bearing, 19mm
CG-2077-H-13	Body Only, 45/50 Teflon Bearing, 25.4mm
CG-2077-H-14	Body Only, 45/50 Teflon Bearing, 30mm
CG-2077-H-20	Nylon Compression Cap, 10mm
CG-2077-H-21	Nylon Compression Cap, 19mm
CG-2077-H-22	Nylon Compression Cap, 25.4mm
CG-2077-H-23	Nylon Compression Cap, 30mm
CG-2077-H-30	Teflon Insert/Bushing, 10mm
CG-2077-H-31	Teflon Insert/Bushing, 19mm
CG-2077-H-32	Teflon Insert/Bushing, 25.4mm
CG-2077-H-33	Teflon Insert/Bushing, 30mm
CG-2077-H-40	Nylon Loosening Nut, 24/40, 10mm
CG-2077-H-41	Nylon Loosening Nut, 29/42, 10mm
CG-2077-H-42	Nylon Loosening Nut, 45/50, 19mm
CG-2077-H-43	Nylon Loosening Nut, 45/50, 25.4mm and 30mm

Replacement O-Rings:

Part Number	Description
CG-305-013	#013 Viton O-Ring For Insert/Bushing, 10mm, 12/Pkg
CG-309-013	#013 Perfluoro O-Ring For Insert/Bushing, 10mm
CG-305-020	#020 Viton O-Ring For Insert/Bushing, 19mm, 12/Pkg
CG-309-020	#020 Perfluoro O-Ring For Insert/Bushing, 19mm
CG-305-024	#024 Viton O-Ring For Insert/Bushing, 25.4mm, 12/Pkg
CG-309-024	#024 Perfluoro O-Ring For Insert/Bushing, 25.4mm
CG-305-027	#027 Viton O-Ring For Insert/Bushing, 30mm, 12/Pkg
CG-309-027	#027 Perfluoro O-Ring For Insert/Bushing, 30mm
CG-305-018	#018 Viton O-Ring For 24/40 Teflon Body, 12/Pkg
CG-309-018	#018 Perfluoro O-Ring For 24/40 Teflon Body
CG-305-022	#022 Viton O-Ring For 29/42 Teflon Body, 12/Pkg
CG-309-022	#022 Perfluoro O-Ring For 29/42 Teflon Body
CG-305-129	#129 Viton O-Ring For 45/50 Teflon Body, 6/Pkg
CG-309-129	#129 Perfluoro O-Ring For 45/50 Teflon Body

CG-2077-M STIR BEARING MECHANICAL SEAL

Our NEW mechanical seal bearing is the only design on the market that will permit you to use your current glass, metal or Teflon covered stir shaft. The design allows you to have the flexibility of vertical adjustment and still choose your agitator diameter and style. Bearing has a ferrule and locking nut to ensure that the seal rotates properly, and is supplied complete with a gold plated wrench. Lower joint adapters are supplied complete with perfluorinated o-rings and a loosening nut. **PLEASE NOTE: BEARING BODY AND LOWER JOINT ADAPTER MUST BE ORDERED SEPARATELY. PLEASE CONTACT OUR TECHNICAL SERVICE DEPARTMENT.**

Features:

- Dry Running Mechanical Seal Rotates With The Shaft Providing For A Vacuum And Pressure Tight Seal.
- Unlike Conventional Teflon Bearings, Bearing Will Not “Flake” Contaminating Your Reaction.
- All Seals Are Made Using Perfluorinated O-Rings Providing Outstanding Resistance To The Most Aggressive Chemicals.
- Bearing Seals Are Rated At Up To 2000 RPM** With The Seal Life Being 3000 hours

Bearing Body Only:

Part Number	Description
CG-2077-M-02	Bearing for use with 10mm Shaft
CG-2077-M-03	Bearing for use with 19mm Shaft
CG-2077-M-04	Bearing for use with 25.4mm Shaft

Lower Joint Adapter:

Part Number	Description	Fits Stir Shaft OD (mm)
CG-2077-M-30	24/40 Lower Joint Adapter	10
CG-2077-M-31	29/42 Lower Joint Adapter	10
CG-2077-M-32	45/50 Lower Joint Adapter	10, 19 and 25.4

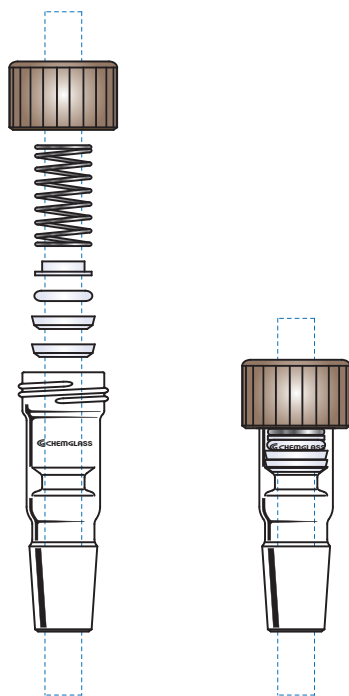


**NOTE:

Maximum RPM will depend on shaft and/or agitator type, along with alignment of motor and coupling. Chemglass recommends a maximum of 500 RPM when used with any glass vessel, lid or shaft.

Please Note: Reactor Support Frames May Have to Be Modified/Adjusted.

STIRRER BEARINGS



CG-2086

CG-2086 STIRRER BEARING, 19MM, TEFLON, CHEM-STIR™**

Grease-Free Teflon stirrer bearing designed for use under moderate vacuum applications. The bearing consists of a threaded glass adapter having an inner joint, a set of Teflon washer style bearings, a stainless steel spring, nylon alignment ring and Celcon® compression cap. The unique design of this bearing provides hours of continuous vacuum operation, with a minimum of "flaking" of the Teflon bearing surfaces.

PLEASE NOTE: FOR USE ONLY WITH CG-2087 AND CG-2088 PRECISION GROUND AND POLISHED STIRRER SHAFTS.

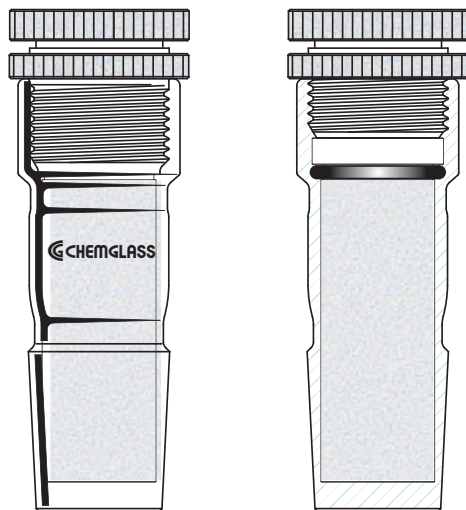
Complete Bearing:

Part Number	Joint Size
CG-2086-01	45/50
CG-2086-02	55/50

Replacement Components:

Part Number	Description
CG-2086-10	45/50 Glass Adapter Only
CG-2086-11	55/50 Glass Adapter Only
CG-2086-20	Celcon® Compression Cap Only
CG-2086-21	S.S. Spring Only
CG-2086-22	Teflon Washer Set Only
CG-2086-23	Nylon Alignment Ring Only

** US Patent Number 5,326,167



CG-1968-75

CG-1968 STIRRER BEARING, TEFLON, 25.4mm

Grease-Free Teflon stirrer bearing designed for use in moderate vacuum applications. Bearing consists of a threaded glass adapter having a 45/50 inner joint, a saddle o-ring, a bushing with compression and locking nut, and a precision Teflon inner bearing. The saddle o-ring provides only glass and Teflon contact with the reaction, while allowing for the vacuum tight seal. Design of the bearing permits replacement of the saddle o-ring at a fraction of the cost of the entire bearing.

Part Number	Description
CG-1968-75	Stirrer Bearing, Complete, 45/50

Replacement Components:

CG-1968-76	Teflon Inner Bearing with O-ring, Only
CG-1968-77	Glass Filled Teflon Bushing, Only
CG-1968-78	Glass Filled Teflon Lock Nut, Only
CG-1968-79	Teflon Saddle O-ring
CG-1968-80	Adapter 45/50 Inner to #36 Internal Thread, Only