

Pumps

G



Carboy Pump
Sampling Pump
Magnetic Drive Centrifugal Pump

G



BOLA-Cordless Pumps for Acids and Caustic Solutions
 Battery operated and therefore able to be used everywhere; ideal for siphoning small quantities of liquids resembling water (e.g. from glass carboys, drums or narrow-mouth containers); despite a compact and sturdy design, those pumps are lightweight, portable and very efficient.

- ✓ Designed for a safe transfer of liquids resembling water (e.g. acids, caustic solutions, etc.)
- ✓ Made of high-performance materials: Polypropylene, PTFE, Hastelloy
- ✓ Run on two 1,5 V commercial batteries (accumulators are recommended)
- ✓ Battery operated and therefore able to be used everywhere (cordless and thus portable)
- ✓ Easy handling very lightweight – only about 500 g (batteries included)
- ✓ Very efficient with a pumping capacity of up to approx. 6 l/min at unimpeded constant flow, compact and sturdy design.
- ✓ Suitable for narrow-mouth containers (suction pipe fits through a standard ground joint NS 29/32 and through threaded necks with GL 45)



Ground Joint NS 29/32

PP
chem. ++
+60°
+5°

Cat.No.	Suction pipe length	Suction pipe-ø, approx.
G 870-01	400 mm	25 mm
G 870-11	600 mm	25 mm



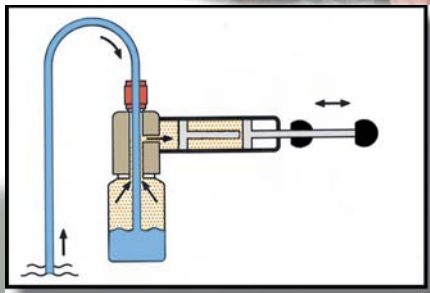
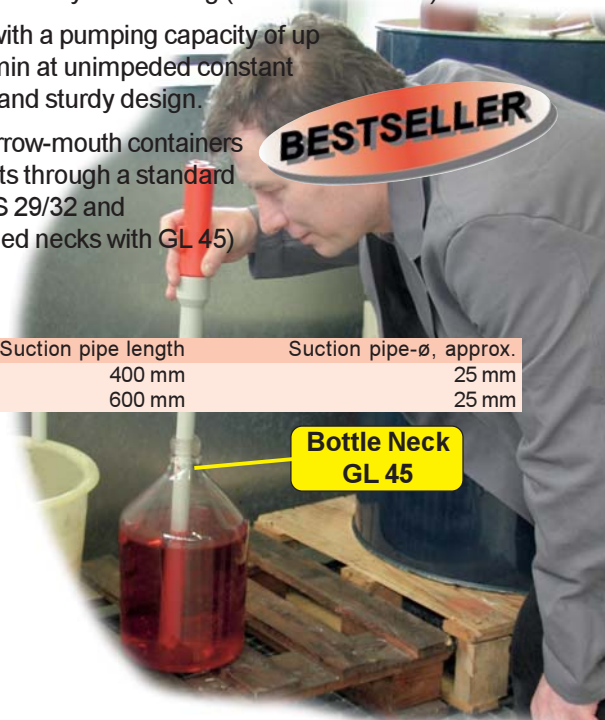
Cat.No.	Accessories
G 870-55	flexible outlet tubing, 0,5 m for G 870-01

BOLA-Sampling Pumps

For quick, easy sampling or transfer of liquids, even from sources that are not easily accessible. Also suitable for use with high viscosity liquids (e.g. oils). The sampling pump is first screwed onto a collection bottle. Then an easy pull on the ball handle produces a slight vacuum in the bottle. The vacuum gently pulls the sample into the bottle through the PTFE sample tube. The sample is only exposed to the PTFE tubing and the collection bottle. Any glass bottles with GL 32 or GL 45 threads can be used as collection bottles. (Supplied with sampling pump and 2 meters of PTFE tubing).

PP
PTFE
chem. +++
+90°
-10°

Cat.No.	Tubing I. D. x O. D.	Thread of sample bottle	Thread for connection	For bottles with a capacity of	Volume per stroke
A 124-16	4 mm x 6 mm	GL 45	GL 18	100 - 2000 ml	50 ml



We build your pump!

Besides the pumps shown on these pages we construct and produce also custom-made pumps. Those pumps are used in a multitude of appliances and plants.

- ✓ Membrane pump with PTFE bellow piston, compressed-air drive
- ✓ Metering unit with inspection glass, sensor mount and compressed-air driven PTFE bellow piston



BOLA-Magnetic Drive Centrifugal Pumps

Made of fluoroplastic. The pump impeller is driven by a magnetic coupling. The pump works without shaft sealing and is therefore leakproof. The medium is exposed only to fluoroplastic and therefore has an almost universal chemical resistance.

PTFE	chem. +++	+150° +10°	230 V 50 HZ
------	--------------	---------------	----------------

Cat.No.
G 861-01



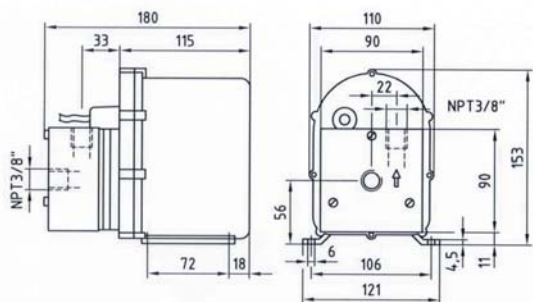
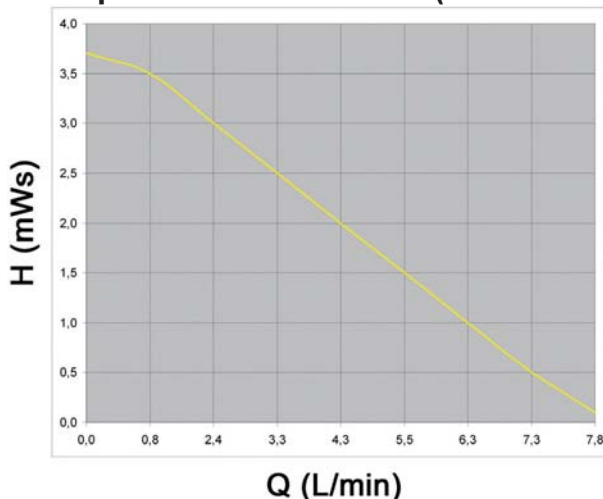
Technical Data:

- Maximum flow rate: approx. 7,8 l/min.
- Maximum delivery height: 3,7 m
- Suction- and pressure connection: NPT 3/8"
- Current consumption (rated load) I/mA: 440
- Power (rated load) P/W: 59
- Protection class: IP20
- Maximum ambient temperature: 50°C
- Suction behaviour: not self-priming
- Weight: 2,8 kg

Examples for suitable connectors:

Cat.No.	For tube O.D.	Page:
D 518-16	6 mm	59
D 518-28	8 mm	59
D 518-40	10 mm	59
D 518-48	12 mm	59
or		
D 516-38	GL 18 (3 mm - 10 mm)	54
D 516-44	GL 25 (4 mm - 14 mm)	54

Pump characteristic curve (water 23°C)



G

